



PROJECT		REF		REV	ITEM CODE	
LOCATION		DATE			PAGE	

## SANITARY WARE SPECIFICATION SHEET

Item Descriptions	GROHE (Germany) "Eurosmart" Single-lever shower mixer trim with concealed body	Illustration/ Drawing												
Dimensions	L158 x W148 x H178 mm													
Model	24042003 (Shower mixer) 35600000 (Mounting box)													
Finish / Material	Chrome Plated													
Country of origin	Germany													
Manufacturer	GROHE Limited													
Supplier	Acme Sanitary Ware Co. Ltd Mr. Eric Wong/ Mr. Wilson Hung													
Contact Tel/Fax E-mail Website	(852) 2388-7171 / (852) 2710-8012 acme@acmesanitary.com.hk www.acmesanitary.com.hk													
<p><b>"Eurosmart"</b>  <b>Single-lever shower mixer trim</b></p> <ul style="list-style-type: none"> <li>· set for final installation for</li> <li>· GROHE Rapido SmartBox 35 600/35 604</li> <li>· <b>GROHE SilkMove</b> 46 mm ceramic cartridge</li> <li>· <b>GROHE Long-Life finish</b></li> <li>· wall escutcheon with <b>GROHE FastFixation</b> (covered escutcheon- and shaft sealing, covered fixing)</li> <li>· metal escutcheon, retroactively 6° adjustable</li> <li>· metal lever</li> <li>· flow performance: outlet B or C = 30 l/min</li> <li>· <b>without roughing-in-set</b></li> <li>· professional edition</li> </ul>		<p><b>GROHE Rapido SmartBox</b></p> <ul style="list-style-type: none"> <li>· Universal rough-in box, 1/2"</li> <li>· 3 outlets 1/2"</li> <li>· 2 inlets below, 1/2"</li> <li>· installation depth 75-105 mm</li> <li>· connection unit in DR brass</li> <li>· pre-mounted flushing plug</li> <li>· stable build-in box and protective cover</li> <li>· fixing options for solid walls and dry</li> <li>· cladding</li> <li>· gasket</li> <li>· without set for final installation</li> </ul>												
		<p><b>Colour options:</b></p> <table border="0"> <tr> <td>● 000   StarLight Chrome</td> <td>● IG0   Chrome/Gold</td> </tr> <tr> <td>● DC0   SuperSteel</td> <td>● GL0   Cool Sunrise</td> </tr> <tr> <td>● DA0   Warm Sunset</td> <td>● GN0   Brushed Cool Sunrise</td> </tr> <tr> <td>● A00   Hard Graphite</td> <td>● DL0   Brushed Warm Sunset</td> </tr> <tr> <td>● AL0   Brushed Hard Graphite</td> <td>● BE0   Polished Nickel</td> </tr> <tr> <td></td> <td>● EN0   Brushed Nickel</td> </tr> </table>	● 000   StarLight Chrome	● IG0   Chrome/Gold	● DC0   SuperSteel	● GL0   Cool Sunrise	● DA0   Warm Sunset	● GN0   Brushed Cool Sunrise	● A00   Hard Graphite	● DL0   Brushed Warm Sunset	● AL0   Brushed Hard Graphite	● BE0   Polished Nickel		● EN0   Brushed Nickel
● 000   StarLight Chrome	● IG0   Chrome/Gold													
● DC0   SuperSteel	● GL0   Cool Sunrise													
● DA0   Warm Sunset	● GN0   Brushed Cool Sunrise													
● A00   Hard Graphite	● DL0   Brushed Warm Sunset													
● AL0   Brushed Hard Graphite	● BE0   Polished Nickel													
	● EN0   Brushed Nickel													

Note: [YouTube \(Rapido SmartBox | Installation Video\) https://www.youtube.com/watch?v=KsWdVrq9fVI](https://www.youtube.com/watch?v=KsWdVrq9fVI)

\* All information of the above is for the reference only. No prior notice is made if any changes.



PROJECT		REF		REV	ITEM CODE	
LOCATION		DATE			PAGE	

## SANITARY WARE SPECIFICATION SHEET

# GROHE EUROSMART

### GROHE'S NUMBER 1 IN PREMIUM PERFORMANCE

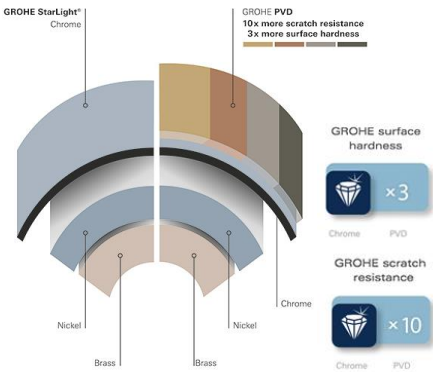
For almost 2 decades, its legendary quality has made the GROHE's Eurosmart range the obvious choice for planners, architects and plumbers. Making it the number 1 worldwide with over 30 million sold. With its wide range of designs and functionalities, its long-lasting GROHE SilkMove Technology and German engineering know-how, Eurosmart is valued for every kind of project – bath, kitchen, commercial, large-scale or small. Eurosmart: always a first class choice since 1999.

MORE THAN 200 POSSIBLE COMBINATIONS WITH GROHE RAPIDO SMARTBOX

As concealed mixing valves for showers and bathtubs are becoming increasingly successful, concealed units are in great demand. With its minimum installation depth of only 75mm, GROHE's Rapido Smartbox can be easily installed for all showers/bathtubs. The Rapido Smartbox concealed body allows you to control up to three water outlets and is compatible with all GROHE concealed models.



**THE NEW GROHE RAPIDO SMARTBOX**  
 A UNIVERSAL SYSTEM FOR INFINITE POSSIBILITIES



### GROHE SilkMove cartridge technology for smooth handling

This premium tap comes with a continuously variable water temperature and volume adjustment technology, ensuring effortless lever operation even after years of use.

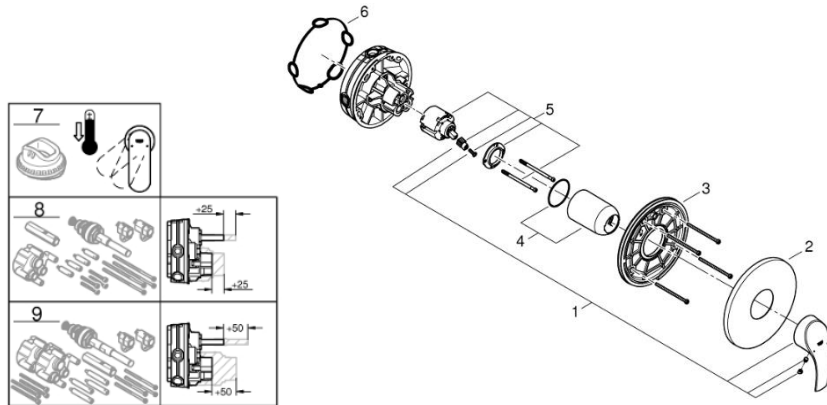
### Easy to clean thanks to the GROHE StarLight chrome coating

Just wipe the tap down with a dry cloth – the ultra smooth surface finish is scratch resistant and ensures a lasting luminous sheen. You'll save plenty of time cleaning while your tap always looks shiny and new.

### GROHE QuickFix Plus quick and easy installation in a few simple steps

Save time on the installation of your tap with GROHE QuickFix Plus. Consisting of fewer parts, our new system makes the installation process quicker and easier than ever.

**GROHE STARLIGHT**  
 Made-to-last surfaces ranging from precious matt to shiny like a diamond.



Pos.-nr.	Prod. description	Order-nr.
1	Lever	46903000
2	Escutcheon	48428000
3	Mounting plate	48439000
4	Cap	02693000
5	Cartridge	46048000
6	Seal	48360000
7	Temperature limiter	46308000*
8	Universal extension set single-lever mixers, 25 mm	14056000*
9	Universal extension set single-lever mixers, 50 mm	14057000*

\* Optional accessories

**Note:**

\* All information of the above is for the reference only. No prior notice is made if any changes.



水務署  
Water Supplies Department

總部 Headquarters

香港灣仔告士打道七號入境事務大樓 48 樓

7 Gloucester Road, Immigration Tower, Wan Chai, Hong Kong

本署  
Our ref.  
來函檔  
Your ref.



321/2024 T/J(890/2024)

電話 :  
Tel. :  
傳真 : 2824 0578  
Fax. :

25 September 2024

**Approval of "GROHE" Shower Mixers  
(General Acceptance No. C20240661)**


Your E-Application [file-id: ETJ-GA-20240901-278] dated 3 September 2024 refers.

Having considered the test report ref. J29986 issued on 3 September 2024 by Nutek Systems (HK) Ltd., this Authority accepts that the fittings described below comply with, and their use when correctly installed does not contravene, the Waterworks Ordinance and Regulations.

**Name of Manufacturer:** Grohe AG  
**Country of Origin:** Germany  
**Brand:** Grohe  
**Details of Fittings:** 1/2" Single lever shower mixer  
**Model:** 35600000 + 24044XXX, 35600000 + 24061XXX  
(where "XXX" denotes the code of colour)



35600000 + 24042XX3, 35600000 + 24046XX3,  
 35600000 + 24048XX3, 35600000 + 24051XX2,  
 35600000 + 24053XX1, 35600000 + 24055XX2,  
 35600000 + 24057XX1, 35600000 + 24059XX3,  
 35600000 + 24063XX1, 35600000 + 24161XX1,  
 35600000 + 24168XX1  
 (where "XX" denotes the code of colour)

**Body Markings:** 

**Expiry Date:** 15 July 2029

This Authority hereby permits the use of the above fittings in fresh water plumbing systems subject to full adherence to Waterworks installation requirements. In particular, you are required to draw your customers' attention to the following requirement-

“The cold water supply to the fittings shall be drawn from the same source that supplies the hot water apparatus so as to provide a balanced pressure and to obviate the risk of scalding in the event of a restriction or failure in the water supply.” AND /

“The shower head or handspray should not be placed in submerged conditions and should be securely fixed to the original position after use.”

A condition of this acceptance is that the fittings to be installed shall be replicas of the samples as certified by the testing agent mentioned above and without modifications. This acceptance may be withdrawn at any time if the standard of the fittings installed fails to meet that of the approved samples or if the fittings are found to be unsuitable for use in fresh water plumbing systems.

This acceptance is only applicable to the main body of the fittings, unless otherwise specified.

For the use of the fittings in any project, the General Acceptance Number of this letter must be quoted as a means of identification of acceptance of the fittings by this Authority.

Should you have any enquiries, please contact our Engineer  
Mr Albert CHOW at tel. no. 3583 4086.

Yours faithfully,



(Terry KUNG)

for Director of Water Supplies

Encl.

c.c.    WSD 3321/1/82 ] - without catalogue  
       ME/MC         ] - with soft copy only